

CliniLever® Hospital Single Lever Shower Mixer

PRODUCT CODE:

- TM-SHWCP
- TM-SHWCPR
- TM-SHWCPY
- TM-SHWCPD (with disabled lever)



WaterMark
AS/NZS 3718 Lic. WM-022761
IAPMO R&T Oceania



SPECIFICATIONS

- Chrome plated brass construction
- Clean hygienic design
- Low maintenance and easy to operate
- Smooth round designs to facilitate easy cleaning and help reduce dirt and bacteria growth.

IMPORTANT: All CliniLever® Taps are tested in accordance with AS/NZS 3718 and leave our premises in good working order.

WARNINGS: Special attentions to be paid on notes, photos, images, or drawings of assembly steps marked with the warning symbol.

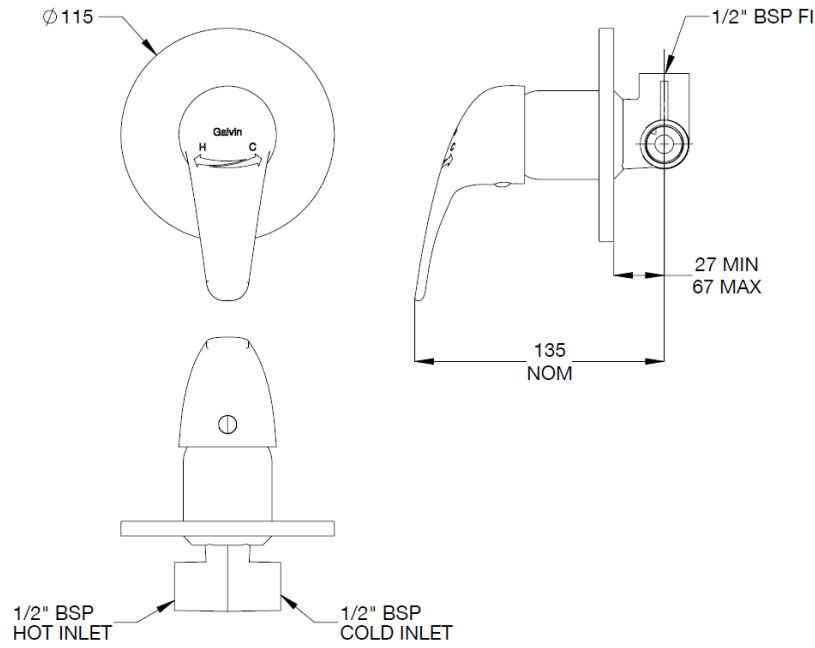


TECHNICAL DATA

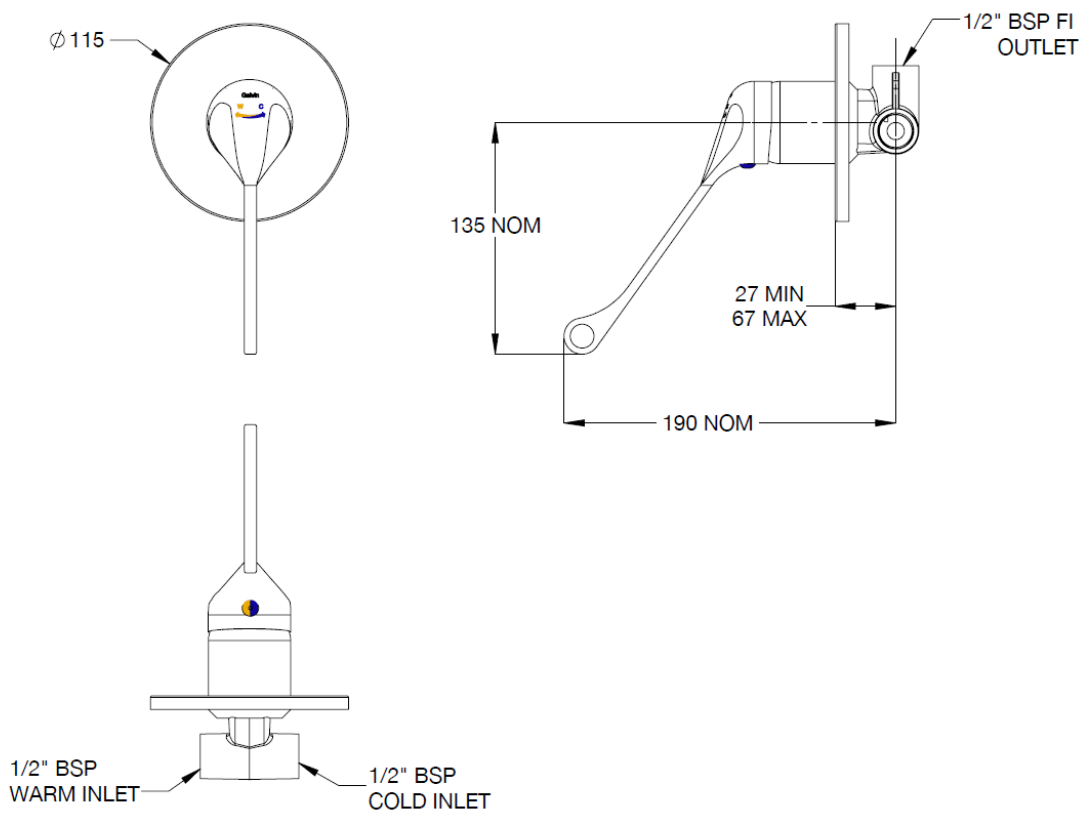
Inlet		½" BSP – Female
Outlet		N/A
Headwork		Ceramic Cartridge
Working Pressure Range (kPa)	Min	150
	Max	500
Working Temperature Range (°C)	Min	10
	Max	80
Nominal Flow Rate (LPM)		N/A
Construction		DZR Brass
Finish		Chrome

NOTE: Galvin Engineering continually strive to improve their products. Specifications may change without notice.

DIMENSIONS



TM-SHWCP/TM-SHWCPR/TM-SHWCPY



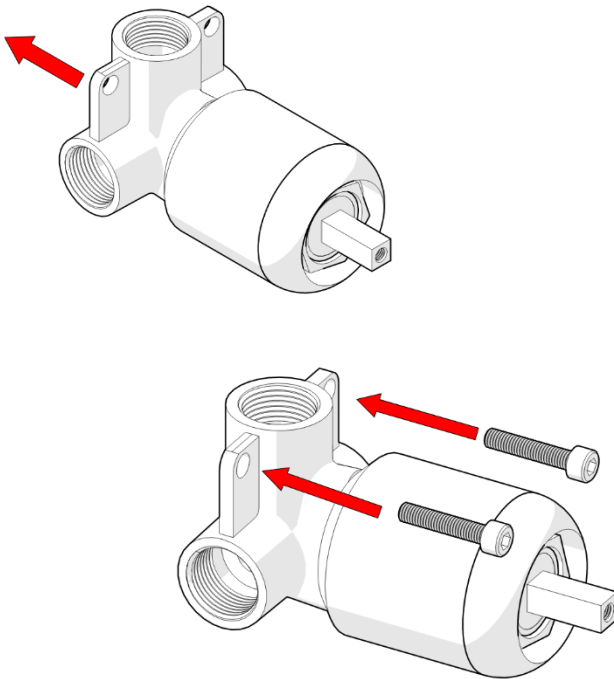
TM-SHWCPD

PRE-INSTALLATION

- All pipework must be thoroughly flushed prior to installation, as foreign materials may block the flow regulating device and reduce the flow of water.
- Do not braze directly onto the mixer, as excessive heat will cause permanent damage, to the body and cartridge.
- Mixer body must be installed square to wall/tile face, to ensure cover plate sits flush.

INSTALLATION

INSTALLATION COMPLIANCE: Galvin Engineering products must be installed in accordance with these installation instructions and in accordance with AS/NZS 3500, the PCA and your local regulatory requirements. Water and/or electrical supply conditions must also comply to the applicable national and/or state standards. Failing to comply with these provisions shall void the product warranty and may affect the performance of the product.

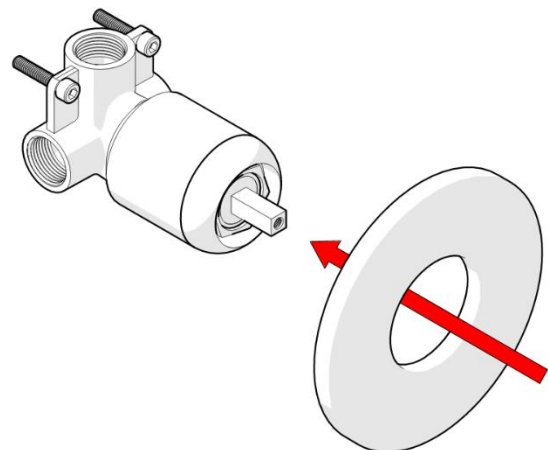


1. Fit Mixer Body

- Fit mixer body onto a suitable mounting plate or noggin in the wall.
- Secure using screws through hole in its base.

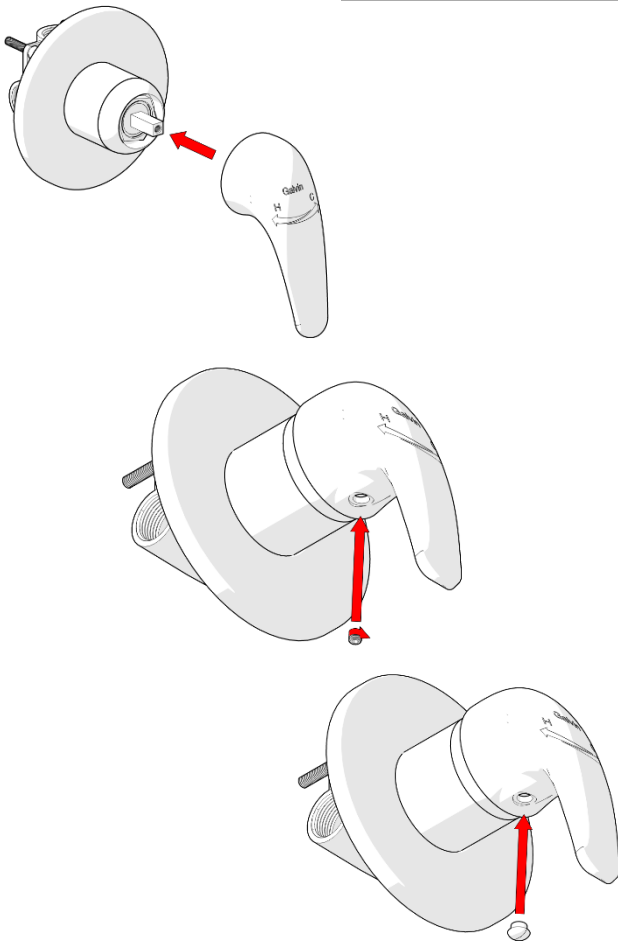
⚠ Note: When facing the mixer, the connections should be as follows:

Hot water inlet connection 'H' to the left.
Cold water inlet connection 'C' to the right.
Mixed water outlet connection vertically upwards.
Check all connections for leaks.



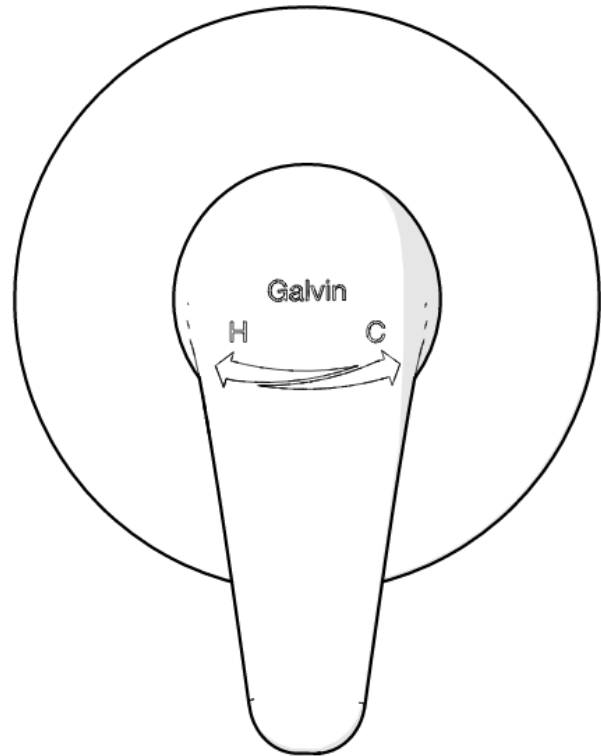
2. Fit Cover Plate

- Fit cover plate. Seal the faceplate to the wall using a suitable sealant.



3. Fit Handle

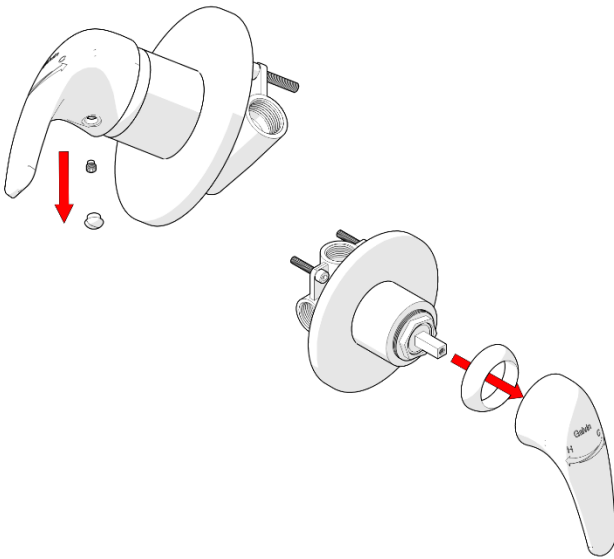
- Fit the handle taking care that it is pushed fully down.
- Tighten screw using the 2.5mm allen key.
- Fit indicator plug red to the left.



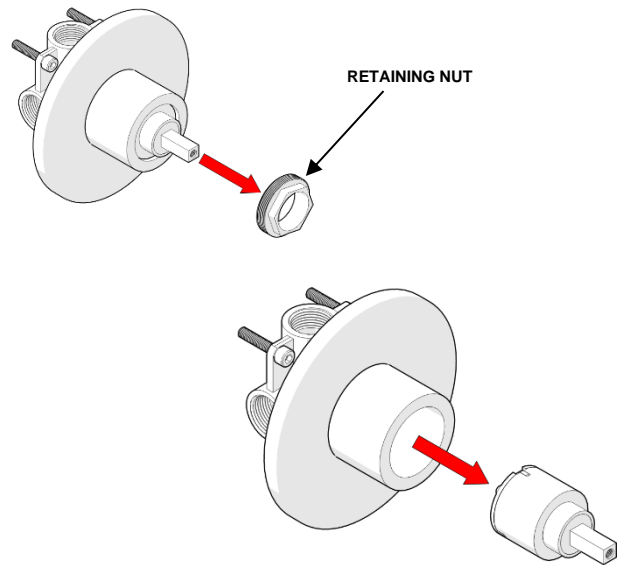
4. Check for correct operation

- Connect water supply and check for correct operation

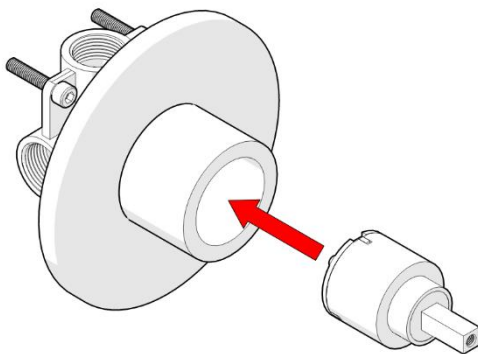
REPLACE CARTRIDGE



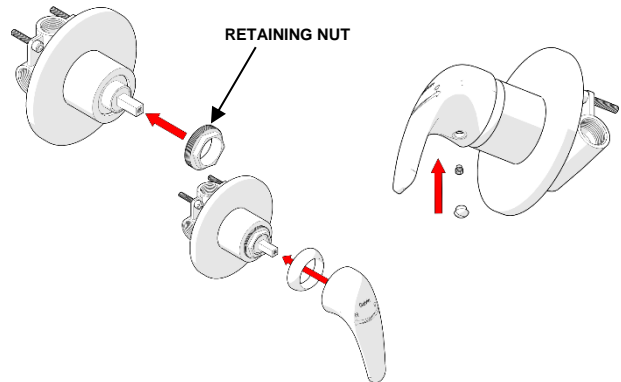
- 1. Remove indicator plug, handle and cap**
- Turn off hot and cold water supplies at isolating valves.
 - Remove indicator plug.
 - Using 2.5mm Allen key, loosen screw and remove handle.
 - Remove cap taking care not to damage the decorative finish.



- 2. Remove old cartridge**
- Unscrew retaining nut and lift out old cartridge.
 - Clean internal mixer body before installing new cartridge.

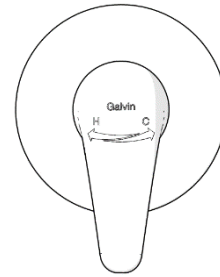


- 3. Insert new cartridge**
- Fit new cartridge into mixer body, taking care that two lugs on base of cartridge fit into mating holes in mixer body



- 4. Reassemble**
- Reassemble by reversing steps 1-2.

⚠ Note: Retaining nut must be tightened to a torque of 10-11 Nm

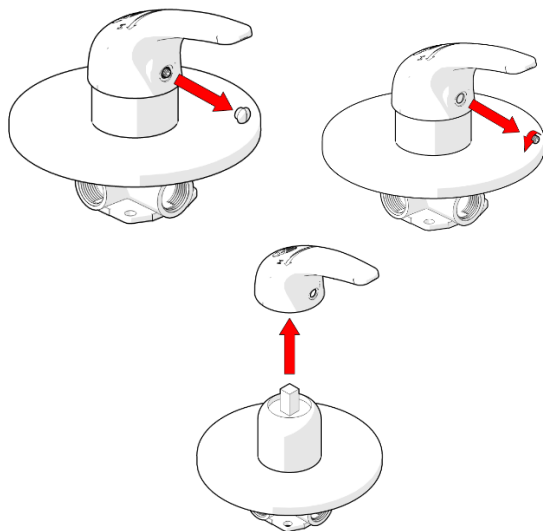


5. Connect water and check for correct operation

- Turn on isolating stop valves and check operation.

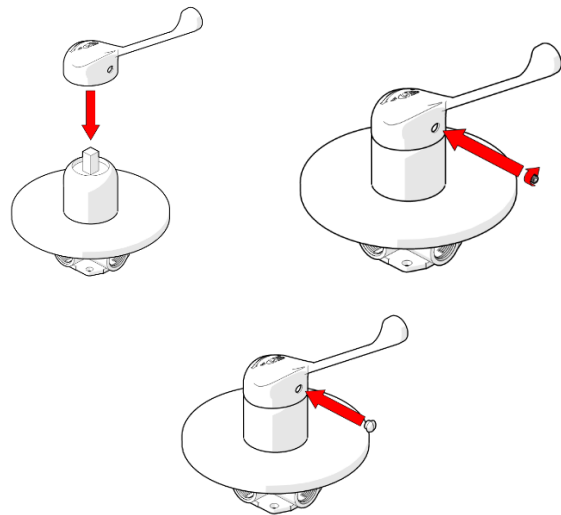
REPLACE HANDLE

IMPORTANT: Galvin Engineering products must be installed in accordance with these installation instructions and in accordance with AS/NZS 3500, the PCA and your local regulatory requirements. Water and/or electrical supply conditions must also comply to the applicable national and/or state standards. Failing to comply with these provisions shall void the product warranty and may affect the performance of the product.



1. Remove the handle

- Remove indicator button.
- Using the Allen key provided, loosen the screw as shown.
- Remove the existing handle as shown.

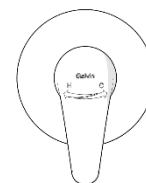


2. Fit the new handle

- Remove indicator button from the new handle, using allen key provided loosen screw as step 1 shown.
- Fit the new handle onto the mixer body. Tight the screw and install the indicator plug.

3. Testing

- Once fitted turn on water and check for leaks and correct operation



TROUBLESHOOTING

PROBLEM	CAUSE	RECTIFICATION
Tap is leaking	Cartridge damaged	Remove and inspect the cartridge, remove debris and/or replace if damaged
	Tap incorrectly installed	Follow the installation steps above when fitting the tap.
Tap has inconsistent flow	Blocked flow regulator	Follow the instructions above to remove flow regulator from the body and check for debris. Install an inline strainer to stop further blockages.
Tap moves on basin	Insufficiently tightened	Follow the steps above in relation to tightening the installation.
Water temperature is opposite to the handle markings	Inlet hoses connected incorrectly	Connect the inlet hoses to the correct inlets as shown above.

WARRANTY

The warranty set forth herein is given expressly and is the only warranty given by the Galvin Engineering Pty Ltd. With respect to the product, Galvin Engineering Pty Ltd makes no other warranties, express or implied. Galvin Engineering Pty. Ltd. hereby specifically disclaims all other warranties, express or implied, including but not limited to the implied warranties of merchantability and fitness for a particular purpose.

Galvin Engineering Pty Ltd products are covered under our manufacturer’s warranty available for download from www.galvinengineering.com.au Galvin Engineering Pty Ltd expressly warrants that the product is free from operational defects in workmanship and materials for the warranty period as shown on the schedule in the manufacturer’s warranty. During the warranty period, Galvin Engineering will replace or repair any defective products manufactured by Galvin Engineering without charge, so long as the terms of the Manufacturer’s warranty are complied with.

The remedy described in the first paragraph of this warranty shall constitute the sole and exclusive remedy for breach of warranty, and Galvin Engineering Pty Ltd shall not be responsible for any incidental, special or consequential damages, including without limitation, lost profits or the cost of repairing or replacing other property which is damaged if this product does not work properly, other costs resulting from labour charges, delays, vandalism, negligence, fouling caused by foreign material, damage from adverse water conditions, chemical, electrical or any other circumstances over which Galvin Engineering has no control. This warranty shall be invalidated by any abuse, misuse, misapplication, improper installation or improper maintenance or alteration of the product.